

## INSTALLATION INSTRUCTIONS

DESCRIPTION: Cab Rear Window  
 PART NUMBER: B4M-K750A-V0  
 MODEL: 2021+ Wolverine RMax2



### ⚠ WARNING

Please read and understand these instructions completely before installation to avoid possible injury, or damage to the accessory or vehicle.

### WARRANTY INFORMATION:

In the United States, see your Yamaha dealer for a copy of the Yamaha Genuine Parts and Accessories Limited Warranty.

### NOTICE:

Installation of this kit requires a torque wrench and should be performed by an authorized Yamaha dealer or a qualified mechanic.

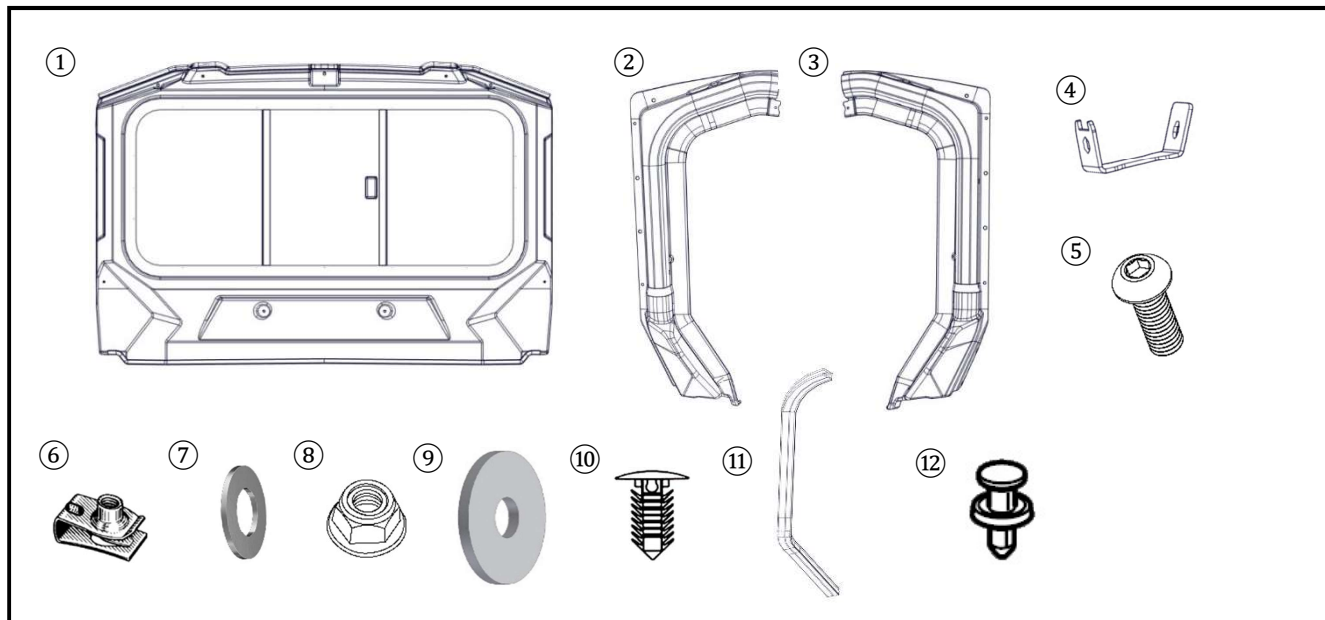
### DEALER OR INSTALLER:

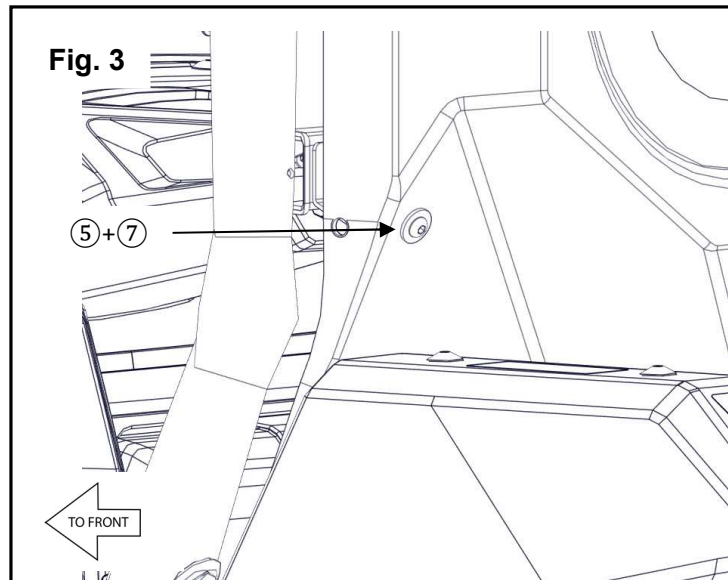
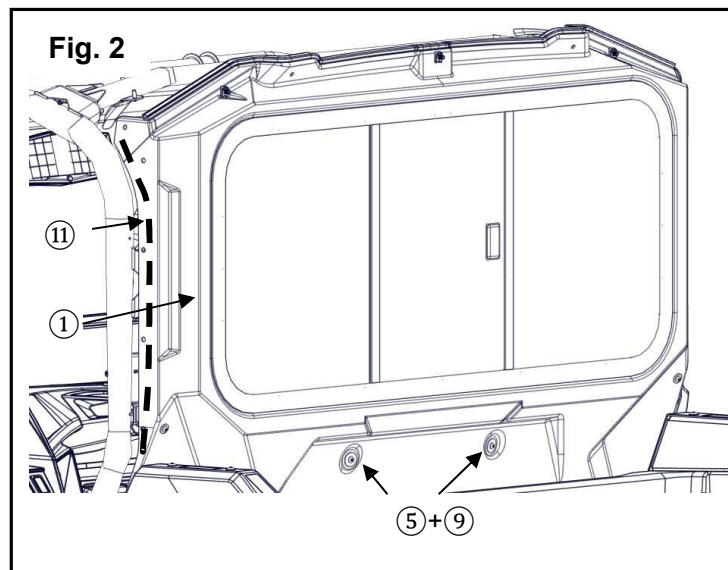
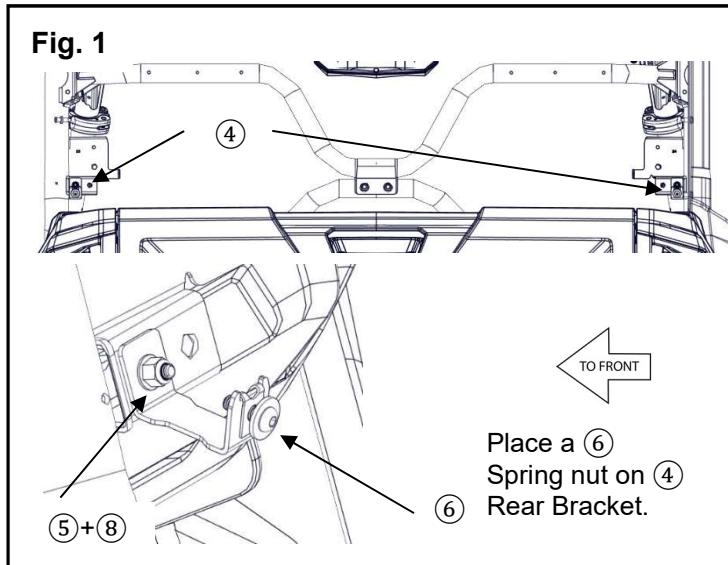
These instructions contain important information for future reference and *must* be given to the customer.

### PARTS LIST:

No.	Part Number	Description	Qty
--	<b>B4M-K750A-V0</b>	Cab Rear Window Kit	--
①	B4M-F286N-V0	Rear Window Assembly	1
②	B4M-K7214-V0	Rear Jamb Right	1
③	B4M-K7213-V0	Rear Jamb Left	1
④	B4M-K7531-V0	Rear Brackets	2
⑤	91317-06020	M6x20 Button Head Screws	11
⑥	90183-060A6	Spring Nut	7
⑦	92907-06200	∅18mm Washers	7
⑧	90185-06802	M6 Flanged Nylon Locking Nut	2
⑨	B4M-K7389-V0	∅25mm Washers	2
⑩	90269-05055	Christmas Tree Push Rivet	6
⑪	B4M-K7165-S0	Bulb Seal	2
⑫	90269-08813	Push Rivet	14

\* Part supplied with kit only and not available separately.





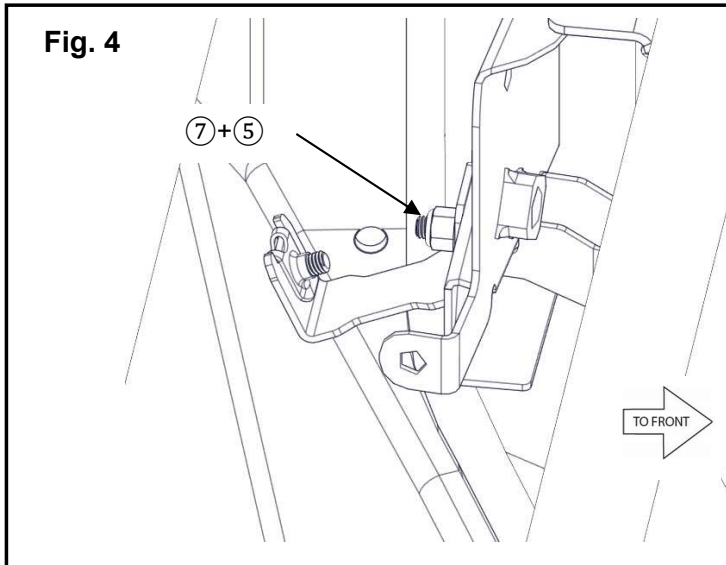
**Tip:** To install a fully enclosed cab, the following parts need to be installed. These kits are: **Sun Top** (p/n B4M-K84A0-V0), **Cab Enclosure Front Glass** (p/n B4J-F83J0-T0), and the **Cab Enclosure Doors** (p/n B4M-K85A0-V0) which are optional unless the full cab is being installed.

**PREPARATION:**

- Place the vehicle on a secure and level surface.
- Set the parking brake.
- Clean the mounting surfaces before beginning installation.
- This kit is installed **with** the Suntop.
- This kit is installed **before** the Cab Enclosure Doors.
- Refer to the Bed Light Kit (B4M-H54D0-V0) instructions to install this kit to the (1) Rear Window Assembly.

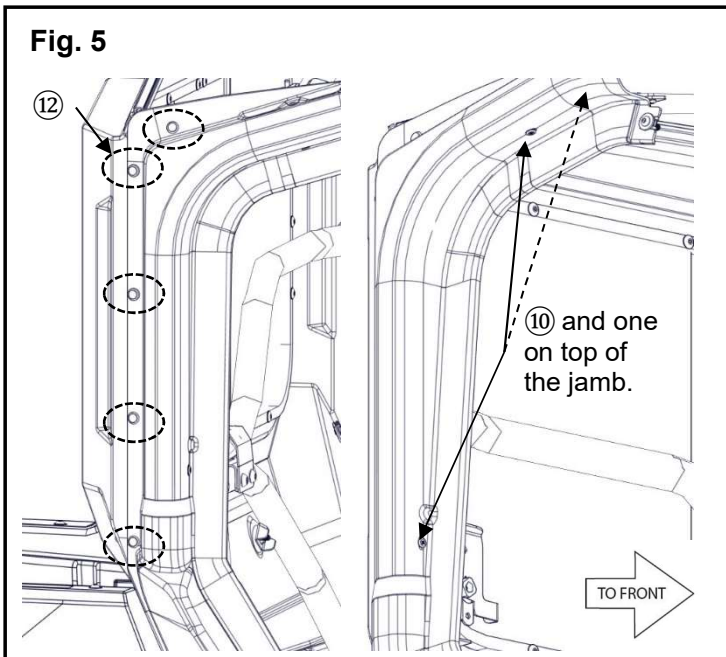
**INSTALLATION: Window Only**

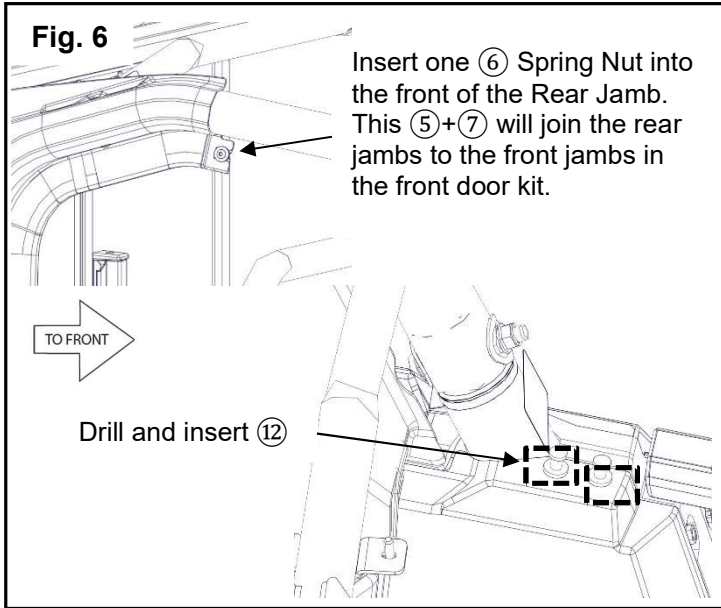
1. Loosen the Sun Top rear clamps and retain the hardware.
2. Install three (6) Spring Nuts into the rear tabs on the Sun Top with the threads facing the rear. (Fig. 7)
3. On the left side of the ROPS, install one (4) Rear Bracket to the ROPS using one (5) M6x20 Button Head Screw and one (8) M6 Flanged Nylon Locking Nut. Place a (6) Spring nut on each (4) Rear Bracket. Leave the bracket loose until Step 10. (Fig. 1)
4. Repeat Step 3 for the right side of the vehicle. (Fig. 1)
5. Install the (11) Bulb Seal along the forward edges of the (1) Rear Window Assembly. (Fig. 2)
6. Place the (1) Rear Window Assembly on the vehicle and ensure that the lower seal is in the lower shelf in the cab. There is a groove the seal sits in.
7. Thread one (5) M6x20 Button Head Screw with one (7)  $\varnothing$ 18 mm Washer through the panel and into the (6) Spring Nut on the (4) Rear Bracket. Do this for both sides. (Fig. 3 and 4)
8. Place one (9)  $\varnothing$ 25mm Washer each on two (5) M6x20 Button Head Screws. Thread the (5) M6x20 Button Head Screws through the panel and into the ROPS center holes. (Fig. 2)
9. Reattach all Sun Top clamps to the Sun Top. Torque to 3Nm (0.3 kg-m or 26 in-lb.).
10. The upper Sun Top locations will use one (7)  $\varnothing$ 18mm Washer and one (5) M6x20 Button Head Screw per spring nut from Step 2 to join the Sun Top to the (1) Rear Window Assembly. (Fig. 7)
11. Torque all the fasteners to 5Nm (0.5 m-kg or 3.6 lb-ft).



**INSTALLATION: Assembled with the Cab Enclosure Doors**

1. Follow Steps 1-4 from the procedure from above. Then follow Steps 6-11 after installing the jambs.
2. Align (3) Rear Jamb Left over the ROPS and (1) Rear Window Assembly.
3. Insert five (12) Push Rivets per side through the ((2)+(3)) jambs and into the (1) Rear Window Assembly. (Fig. 5)
4. Insert three (10) Christmas Tree Push Rivets into the inner part of the jamb and one on top through the jamb and into the ROPS. (Fig. 5)
5. Mark and drill the front two 8mm holes into the upper body work near the ROPS B pillar. Insert two (12) Push Rivets into the holes. (Fig. 6)
6. The upper location will use one (7) ø18mm Washer and one (5) M6x20 Button Head Screw and one (6) Spring Nut to join the jamb to the A pillar cover which is included with the Cab Enclosure Doors. (Fig. 6)
7. Follow Steps 2 through 6 for (2) Rear Jamb Right installation.





**MAINTENANCE:**

Periodically, check torque on all hardware. If loose hardware is found, re-torque to specification.

**CARE AND CLEANING:**

Clean painted metal parts with a clean soft cloth and mild soap and water solution. Rinse and dry.

**CUSTOMER SERVICE:**

For further information see your Yamaha dealer.

**ESTIMATED TIME TO INSTALL: 1.5 HRS.**

